

## Wall-Mounted Cabinets



### STANDARD SPECIFICATION

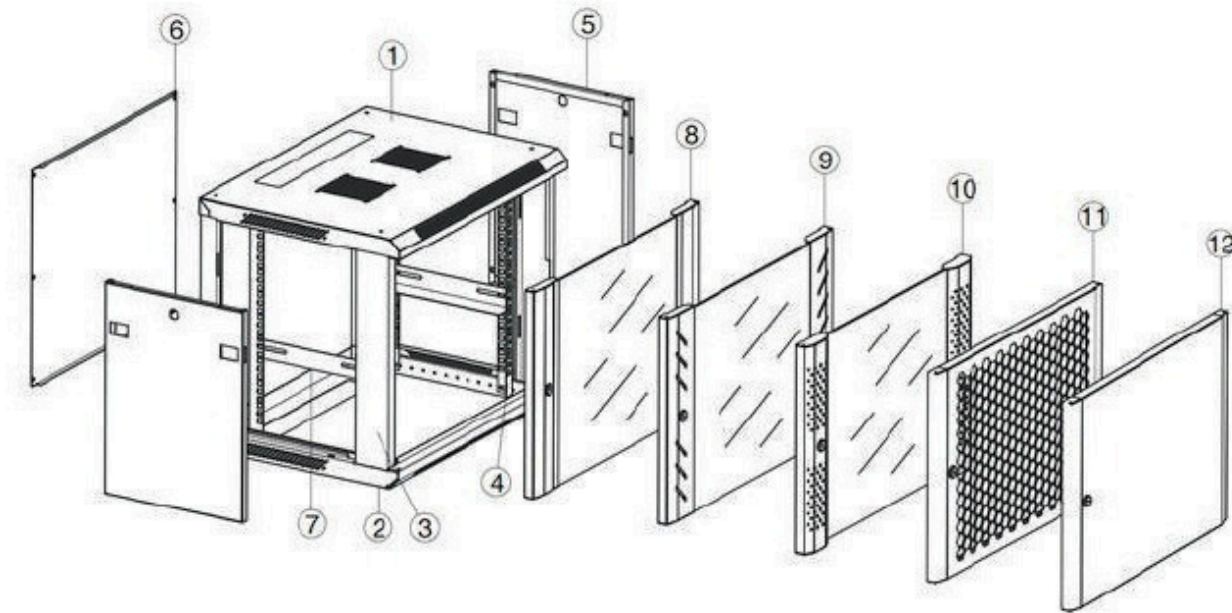
- ANSI/EIA RS-310-D
- IEC60297-3-100
- DIN41494:PART1
- DIN41494:PART7

### PRODUCT INFORMATION **Product Features**

- Removable side panels, easy to install and maintain
- Optional Metal cable management
- Adjustable depth of installation
- Comply with UL, ROHS certifications



### Cabinets Assembly Drawing



### Main Parts:

- |                       |   |
|-----------------------|---|
| 1. Top cover          | 7. L rail (optional)  |
| 2. Bottom panel       | 8. Toughened glass front door                               |
| 3. Left & Right frame | 9. Toughened glass front door with slanted slot door border |
| 4. Mounting profile   | 10. Toughened glass front door with hole arc door border    |
| 5. Side panel         | 11. Hexagonal reticular high density vented plate door      |
| 6. Rear panel         | 12. perforated steel door                                   |

Materials	Structure	Static Loading Capacity
SPCC cold rolled steel	Welded frame	70KG
Thickness	Surface Finish	LOCK
Mounting profile 1.5mm Others 1.2mm Side panel 1.0mm	Degreasing, Silanization, Electrostatic Spraying	Small round lock

## Product description

Materials	SPCC Cold rolled steel
Model Series	Wall Mounted Cabinet
Width (mm)	600, 540
Depth (mm)	450, 500, 550, 600
Number of rack unit	6U, 10U, 12U, 15U, 16U, 20U,
Color	Black
Thickness (mm)	Mounting profile- 1.5 Side panel- 1.0 others- 1.2

## Part Numbers

P/N	Description
QR2654B	6U 540*400 Cabinet
QR2655B	6U 540*500 Cabinet
QR2656B	6U 540*600 Cabinet
QR2665B	6U 600*450 Cabinet
QR2666B	6U 600*600 Cabinet
QR2155B	10U 540*500 Cabinet
QR2156B	10U 540*600 Cabinet
QR2165B	12U 600*450 Cabinet
QR2166B	12U 600*600 Cabinet
QR2555B	15U 540*500 Cabinet
QR2756B	16U 540*600 Cabinet
QR2256B	20U 540*600 Cabinet